

# 508 Siren

## Features

- **500 Hz, 128 dB(C) output**
- **Directional, rotating siren**
- **Three distinct warning signals**
- **Full battery operation or battery back-up**
- **Maintenance-free sealed bearing motors**
- **Weather-resistant coating**
- **5-year limited warranty**



Federal Signal's 508 siren is a high power, rotating, uni-directional, 500 Hz outdoor warning siren that offers an anechoic chamber-certified signal strength of 128 dB(C). The high-decibel output provides maximum coverage with minimum installation cost. Radio activation can further minimize installation costs by eliminating the need for leased dedicated control lines.

The siren rotates at 3 RPM and can produce three distinct warning signals: steady, wail and fast wail. Federal Signal's 508 siren will supply a minimum of 15 minutes of full power output from its batteries after AC power loss. The siren controls are available with battery operation, AC operation, and AC operation with battery back-up, one-way and two-way radio control, wired or wireless ethernet, satellite/cellular or landline.

Ideally suited to provide warning for hazardous weather conditions, fires, floods, chemical spills and other types of emergencies, the 508 siren is an excellent choice to protect any community.

# 508 Siren

## Specifications

### Power Requirements<sup>1</sup>

Siren Motor	48V (DC or full wave rectified AC) 115A (nom.)
Rotator Motor	48V (DC or full wave rectified AC) 1A (nom.)

### Effective Range<sup>2</sup>

70 dB Coverage	7300 ft.
60 dB Coverage	14,700 ft.

### Wiring

Siren Motor	2 AWG, 2 wire
Rotator Motor	12 AWG, 1 wire

### Motor Type

Siren	Series wound DC 7 Hp
Rotator	Permanent magnet DC 1/8 Hp

### Signal Information<sup>3</sup>

Signal	Frequency Range	Sweep Rate
Steady	500 Hz	N.A.
Wail	180-500 Hz	10 sec.
Fast Wail	300-500 Hz	3.5 sec.
Signal Duration	3 min. std. (programmable)	
Signal Output (SPL)	128 dB(C) +/- 1 dB(C) at 100' (30.5 m)	
Rotation	3 RPM	

### Dimensions

Height x Width x Depth	70.1" x 53.4" x 43.1"
	1780.5mm x 1356.4mm x 1094.7mm

### Weight

Shipping Weight	590 lbs. (268 kg)
-----------------	-------------------

### Environmental<sup>4</sup>

Operating Temperature	-30°C to +60°C
-----------------------	----------------

### Ordering Information

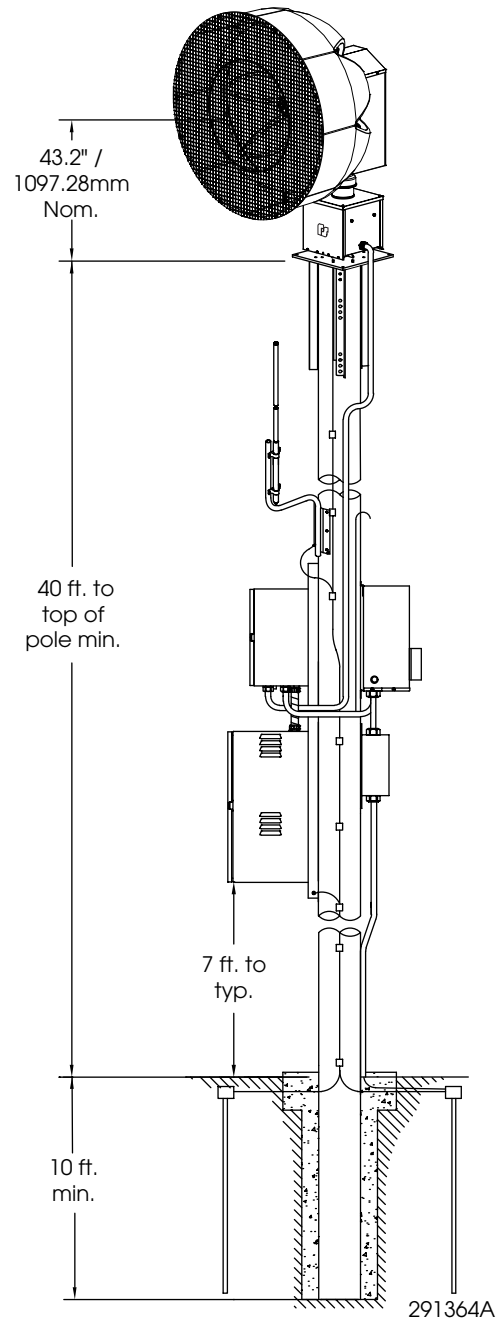
508-128	Rotating electro-mechanical siren 128 dB(C) +/- 1 dB(C), 48VDC, pole mount included
---------	---

<sup>1</sup> Power requirements refer to the power supplied by the batteries or optional AC with battery backup.

<sup>2</sup> Radius from siren location; actual performance is subject to site-specific factors.

<sup>3</sup> Frequency is approximate and can vary depending on voltage.

<sup>4</sup> The siren can operate throughout this temperature range provided that battery temperature is maintained at 18° C or higher.



Typical Pole-mounted Installation